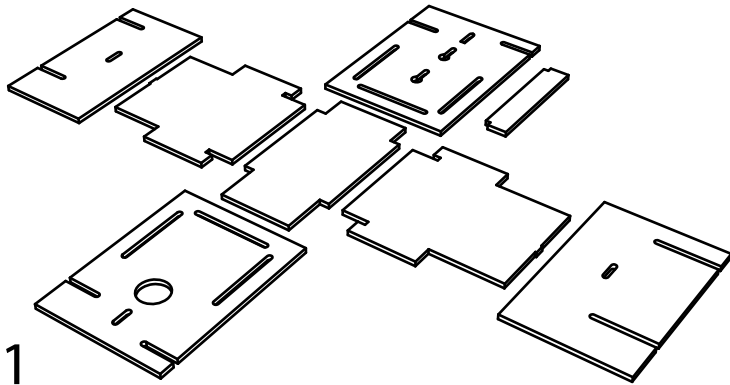
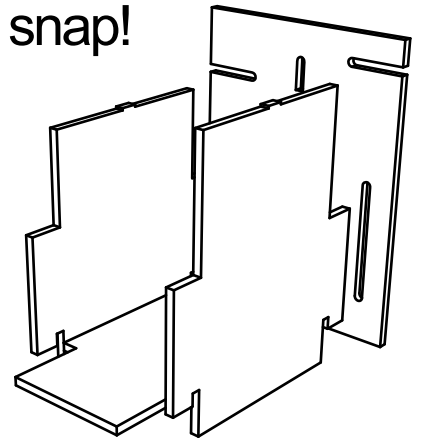


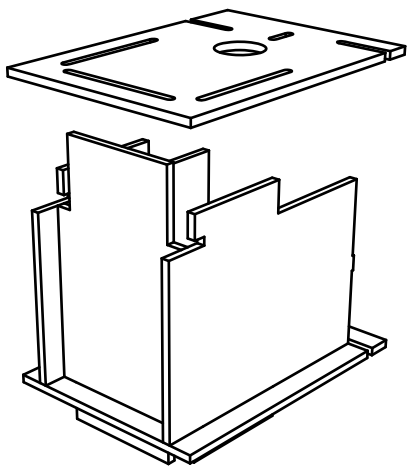
INSTRUCTIONS no glue, no nails, it's a snap!



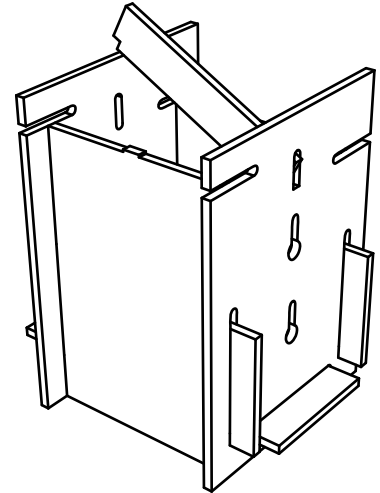
1 Lay out the panels to match exactly like the diagram.



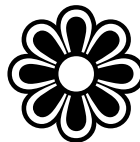
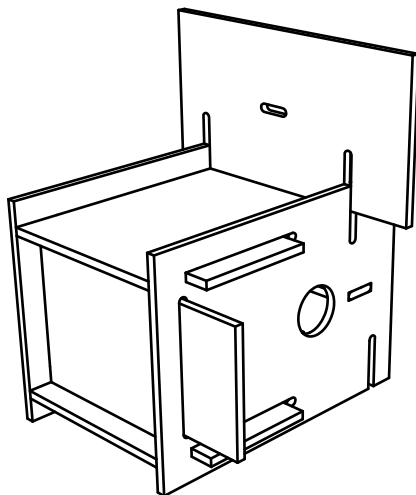
2 Insert one SIDE PANEL into the BACK vertical slot. Repeat with the other side panel. Insert the SHORT extension of the BOTTOM PANEL into the back horizontal slot.



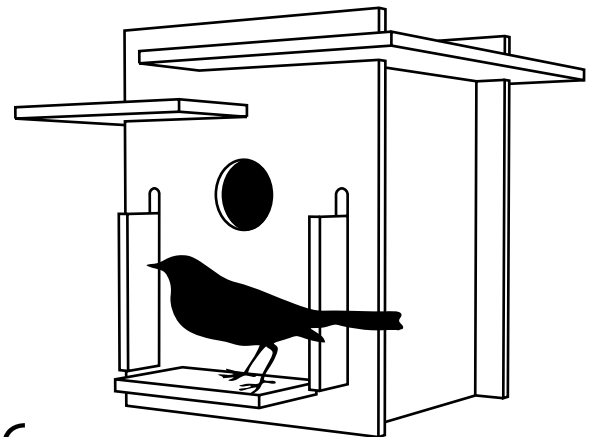
3 Rest the house on its back. Slide the FRONT PANEL slots over the remaining bottom and side notches. Stand birdhouse upright. Now, press the side panels completely down.



4 Place one notch of the small RECTANGLE (long edge up) into the BACK slot. Slide down the FRONT panel until it slips into the slot.



5 Slide the SMALL ROOF PANEL on left side. Turn the birdhouse on its side to push until the notch snaps. Slide the LARGE ROOF on the right side.



6 Use the flower hole pattern on this box to space the included screws for hanging. Screw right through the flowers images leaving 1.25" of the screw out. Rip the box away.